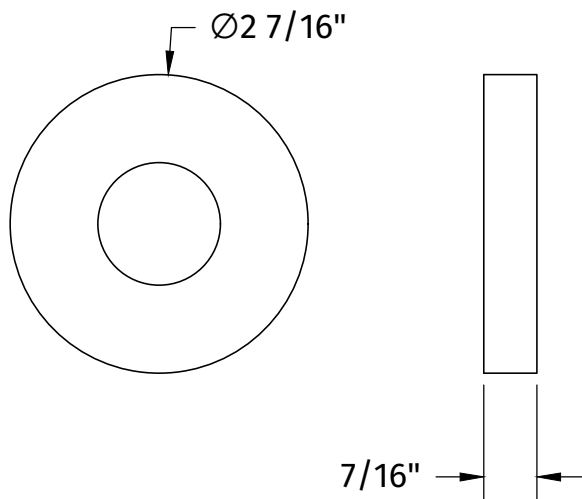
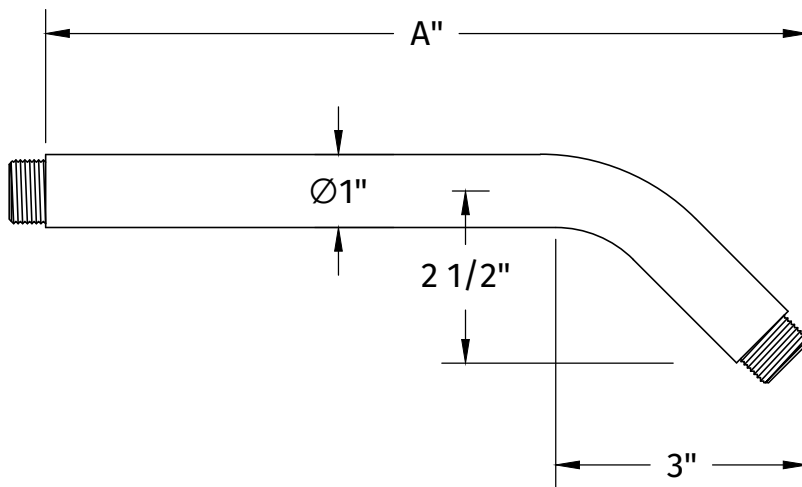


EZ-MT20-6/8/12

MOUNTAIN RE-VIVE™ ROUND SHOWER ARM WITH 45° BEND



SPECIFICATION SHEET



- SOLID BRASS CONSTRUCTION
- INCLUDES DECORATIVE BRASS ESCUTCHEON
- 1/2 NPT
- (MT20-6 SHOWN)

MODEL NUMBER	DIM A
• MT20-6:	6"
• MT20-8:	8"
• MT20-12:	12"

WARRANTY

FOR WARRANTY INFO PLEASE VISIT WWW.MOUNTAINPLUMBING.COM/PAGE/RESOURCES/WARRANTY

FINISH CARE & MAINTENANCE

NEVER USE ANY HARSH ALKALI, ACID BASED DETERGENTS OR CLEANERS SUCH AS SOFT SCRUB®, SCRUBBING BUBBLES® OR COMET® TO CLEAN. DO NOT USE BRILLO® AND SCOTCH BRITE® PADS. THESE WILL ALL HARM THE FINISH. TO CLEAN, USE ONLY A DAMP SOFT CLOTH AND WIPE USING A SOFT CLOTH. STANDARD WINDEX® CAN ALSO BE USED SPARINGLY. IT IS NOT NECESSARY TO WIPE HARD TO REMOVE SPOTS. TO MAINTAIN THE FINISH, WIPE WITH A SOFT DRY CLOTH AFTER USE. AN OCCASIONAL COAT OF PURE CARNAUBA WAX WITHOUT CLEANERS WILL HELP PROTECT THE FINISH.

National Distributor: **EzSpec** www.EzSpec.shop | 858-240-9669 | EzSpecInfo@EzSpec.shop
Spec it. Price it. Buy it.

SPECIFICATIONS SUBJECT TO CHANGE WITHOUT NOTICE