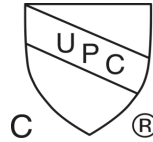


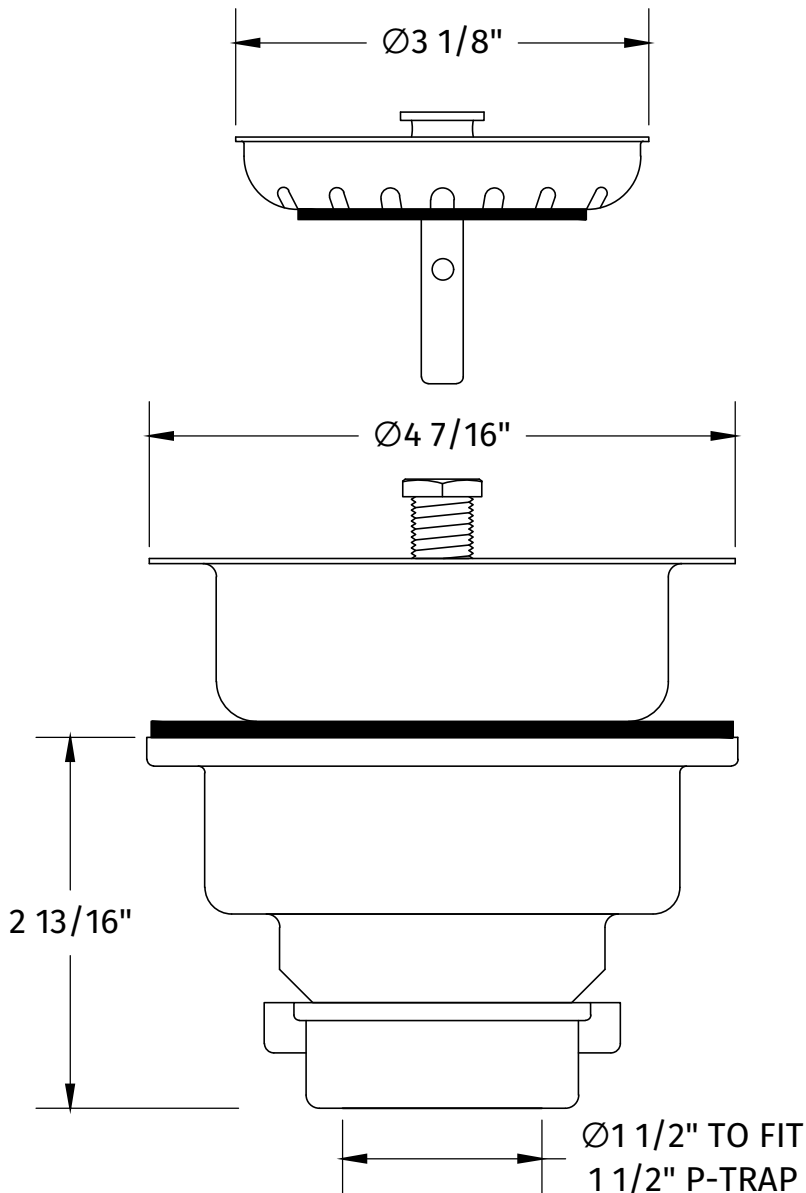
EZ-MT303

3-1/2" DELUXE ALL METAL STEMBALL KITCHEN SINK STRAINER



A McAlpine Company
Mountain
Plumbing Products

SPECIFICATION SHEET



- WILL FIT STANDARD $\text{Ø}3\ 1/2$ " DRAIN OPENING
- BRASS OR STAINLESS STEEL FLANGE DEPENDING ON FINISH
- STAINLESS STEEL STRAINER BODY
- SPRING-LOADED STAINLESS STEEL POST ALLOWS FOR SMOOTH OPERATION
- FITS SINKS UP TO $1\text{-}3/16$ " THICK (FOR THICKER SINKS, ORDER BRBOLT/90 TO ALLOW UP TO $2\ 3/4$ " THICKNESS)

WARRANTY

FOR WARRANTY INFO PLEASE VISIT
WWW.MOUNTAINPLUMBING.COM/PAGE/RESOURCES/WARRANTY

FINISH CARE & MAINTENANCE

NEVER USE ANY HARSH ALKALI, ACID BASED DETERGENTS OR CLEANERS SUCH AS SOFT SCRUB®, SCRUBBING BUBBLES® OR COMET® TO CLEAN. DO NOT USE BRILLO® AND SCOTCH BRITE® PADS. THESE WILL ALL HARM THE FINISH. TO CLEAN, USE ONLY A DAMP SOFT CLOTH AND WIPE USING A SOFT CLOTH. STANDARD WINDEX® CAN ALSO BE USED SPARINGLY. IT IS NOT NECESSARY TO WIPE HARD TO REMOVE SPOTS. TO MAINTAIN THE FINISH, WIPE WITH A SOFT DRY CLOTH AFTER USE. AN OCCASIONAL COAT OF PURE CARNAUBA WAX WITHOUT CLEANERS WILL HELP PROTECT THE FINISH.

SPECIFICATIONS SUBJECT TO CHANGE WITHOUT NOTICE

National Distributor: **EzSpec** www.EzSpec.shop | 858-240-9669 | EzSpecInfo@EzSpec.shop
Spec it. Price it. Buy it.