

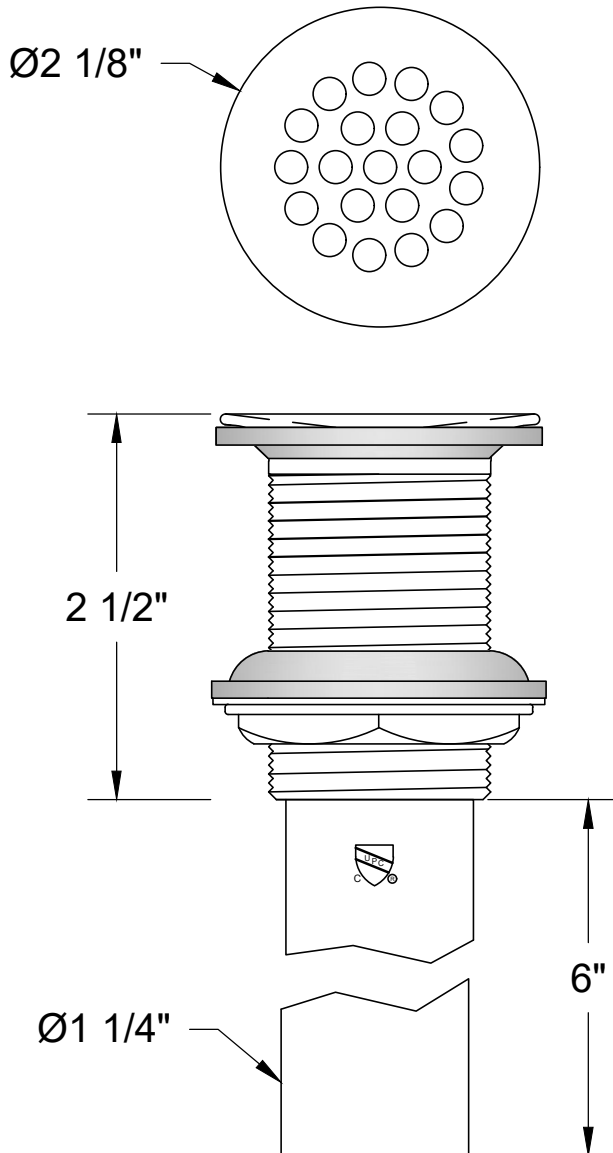
EZ-MT740-2

20 HOLE BRASS LAVATORY GRID DRAIN WITH 6" TAILPIECE AND NO OVERFLOW

SPECIFICATION SHEET



Mountain
Plumbing Products



- FEATURES PATENTED "FAST FLOW ANGLE TOP" - ALLOWS FOR FAST DRAINING AND PREVENTS WATER FROM POOLING
- FOR USE WITH $\text{\O}1\ 1/2"$ DRAIN OPENING
- INTENDED FOR SINKS WITH NO OVERFLOW
- $\text{\O}1\ 1/4"$ TAILPIECE IS REMOVABLE
- ENTIRE DRAIN AND TAILPIECE ARE FINISHED FOR EXPOSED APPLICATIONS

WARRANTY

FOR WARRANTY INFO PLEASE VISIT WWW.MOUNTAINPLUMBING.COM/PAGE/RESOURCES/WARRANTY

FINISH CARE & MAINTENANCE

NEVER USE ANY HARSH ALKALI, ACID BASED DETERGENTS OR CLEANERS SUCH AS SOFT SCRUB[®], SCRUBBING BUBBLES[®] OR COMET[®] TO CLEAN. DO NOT USE BRILLO[®] AND SCOTCH BRITE[®] PADS. THESE WILL ALL HARM THE FINISH. TO CLEAN, USE ONLY A DAMP SOFT CLOTH AND WIPE USING A SOFT CLOTH. STANDARD WINDEX[®] CAN ALSO BE USED SPARINGLY. IT IS NOT NECESSARY TO WIPE HARD TO REMOVE SPOTS. TO MAINTAIN THE FINISH, WIPE WITH A SOFT DRY CLOTH AFTER USE. AN OCCASIONAL COAT OF PURE CARNAUBA WAX WITHOUT CLEANERS WILL HELP PROTECT THE FINISH.

National Distributor: **EzSpec** www.EzSpec.shop | 858-240-9669 | EzSpecInfo@EzSpec.shop
Spec it. Price it. Buy it.

SPECIFICATIONS SUBJECT TO CHANGE WITHOUT NOTICE